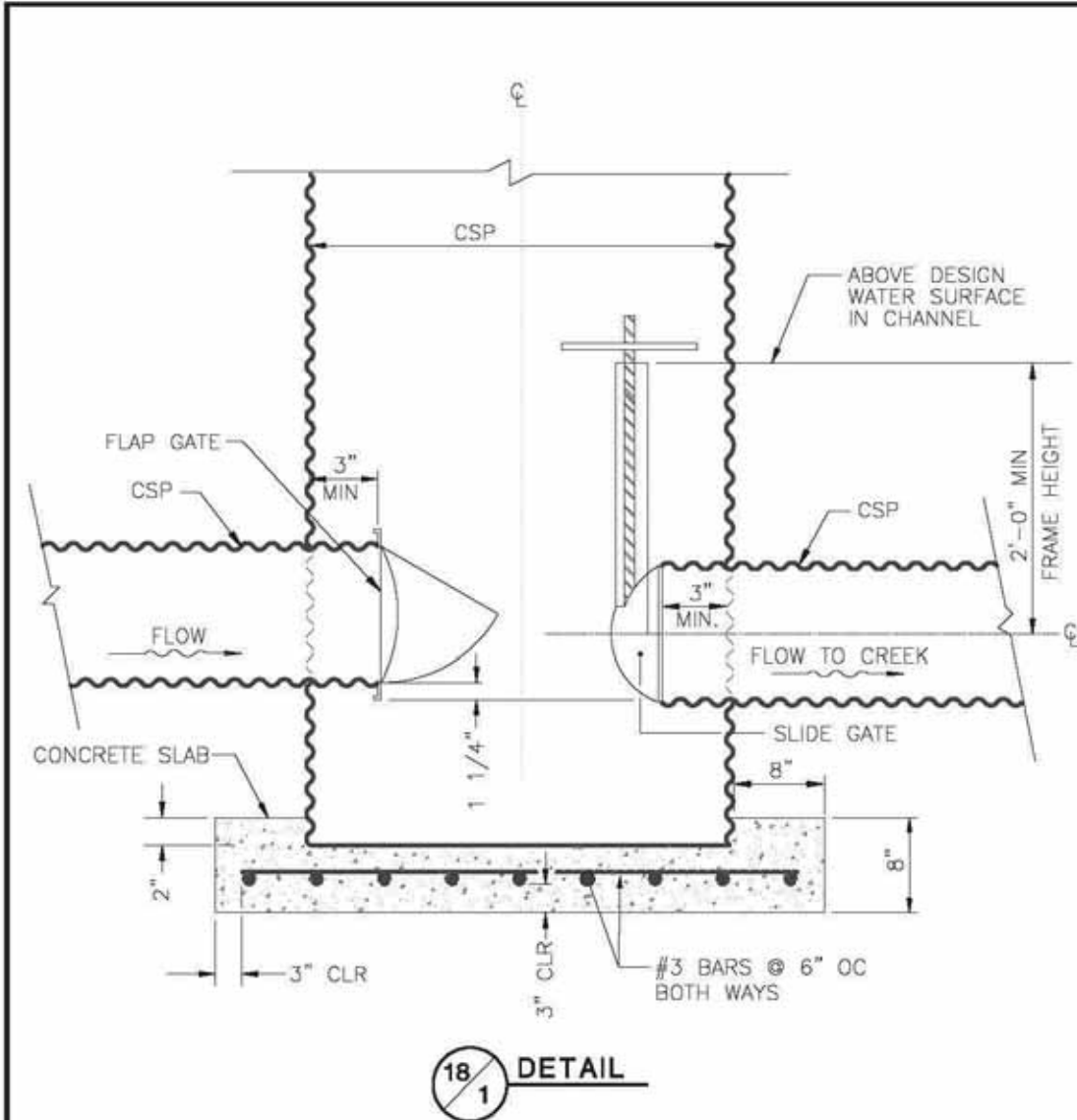


FLAP GATE STRUCTURE

Flap gates are needed on outfalls where the adjacent ground is below the high water level (usually 100 year water surface elevation). The flap gates will prevent the back flow of water from the stream on to the adjacent land. Where adjacent land at the stormdrain pipe inlet is higher in elevation than the high water level, a flap gate is not needed. Two options for the placement of a flap gate are shown.



NOTES

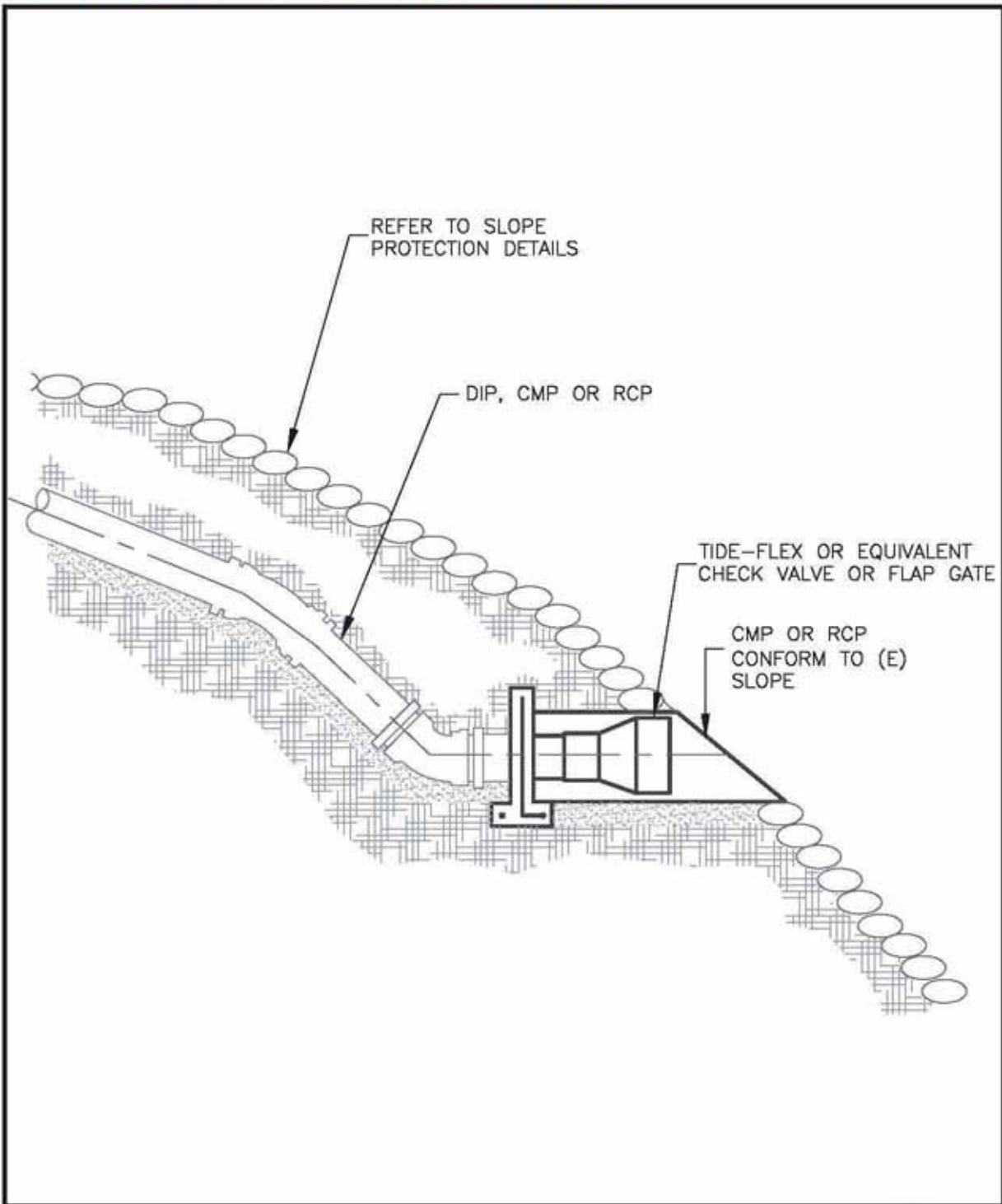
1. Structure to be installed outside SCVWD R/W in area that is easily accessible during rainy periods.
2. Specifications and details of design for the structure are subject to the standards of the local agency that will maintain the structure.

Santa Clara Valley Water District
 5750 Almaden Expressway, San Jose 95118
 Phone (408)265-2600
 SCALE: N.T.S.
 3/1/2001
 REVISED
 Sheet44.dwg

FLAP GATE
 STRUCTURE

GUIDE
 18
 1
 SHEET

FLAP GATE IN DORMER PIPE



Santa Clara Valley Water District
 5750 Almaden Expressway, San Jose 95118
 Phone (408)265-2600

SCALE: N.T.S.

7/11/2005
 REVISED

Sheet61.dwg

FLAP GATE

GUIDE
28
 1
 SHEET